

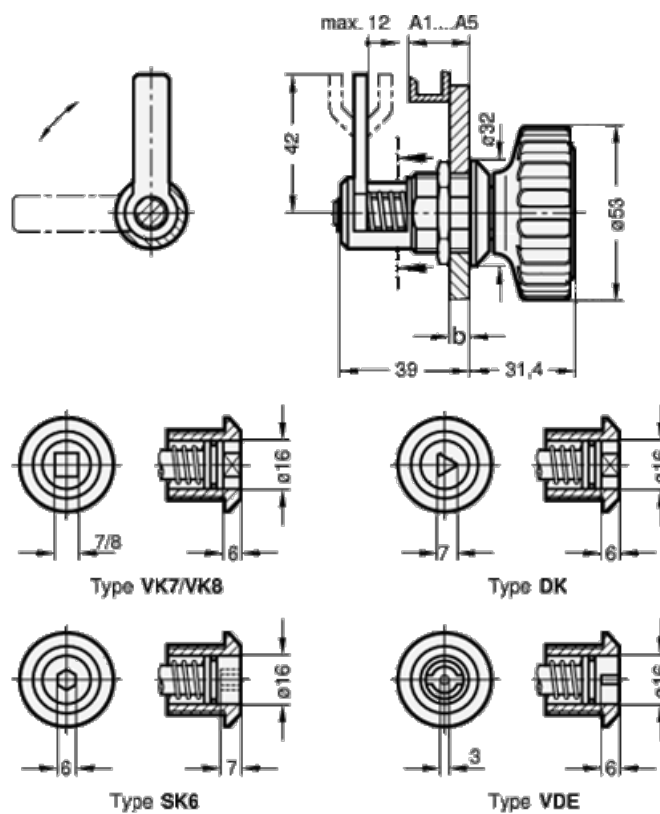
Data Sheet



Article number: 201161SK6A5

Description: E+G Door lock GN 116.1-SK6-A5
SK6 with hexagon A/F6

Measures



b max = 12
Door + frame thickness = 34-46